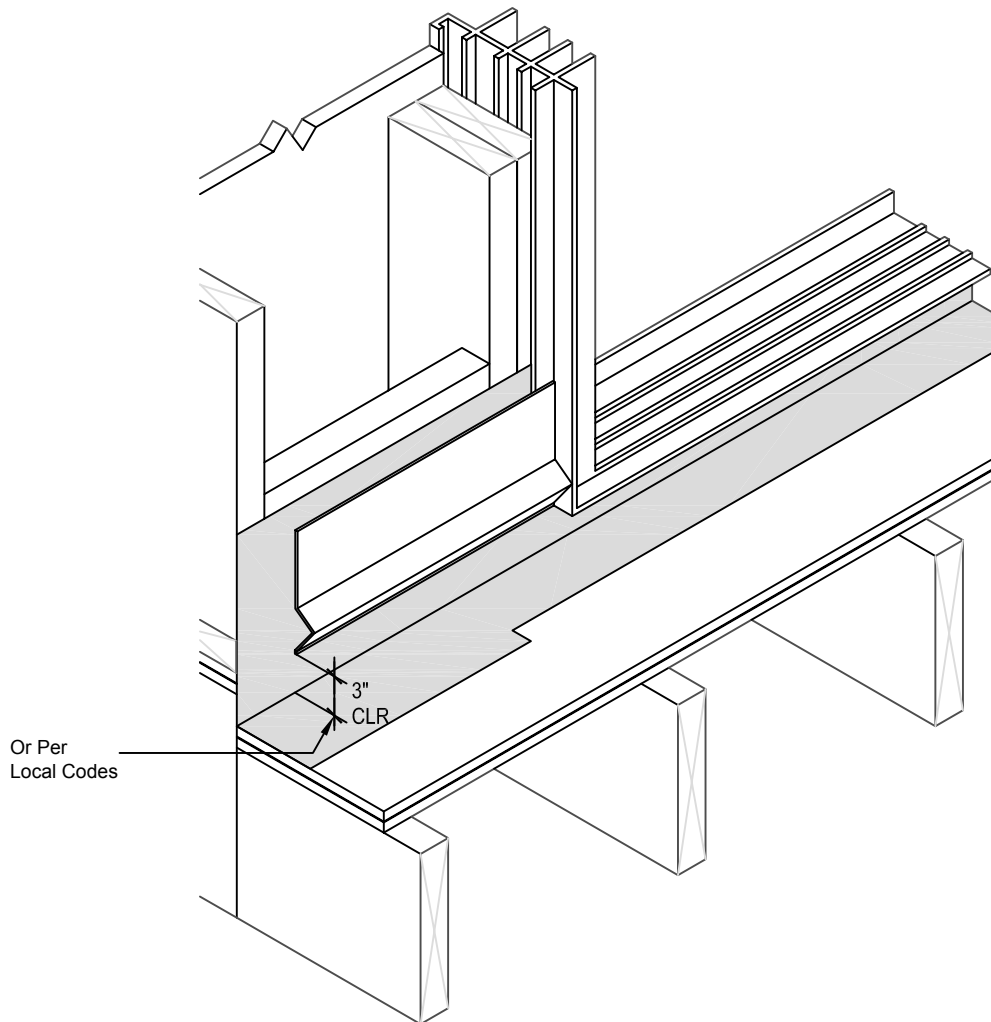


Deck Flashing Two-Piece Flashing Wall to Doorwall



Note: Drawing not to scale.

For Technical Help on any of Mer-Ko's engineering detail drawings, or to request additional information, contact us at

(866) 516-0061, Technical Help Line
(800) 851-6303, Sales & Service
www.parexmer-ko.com